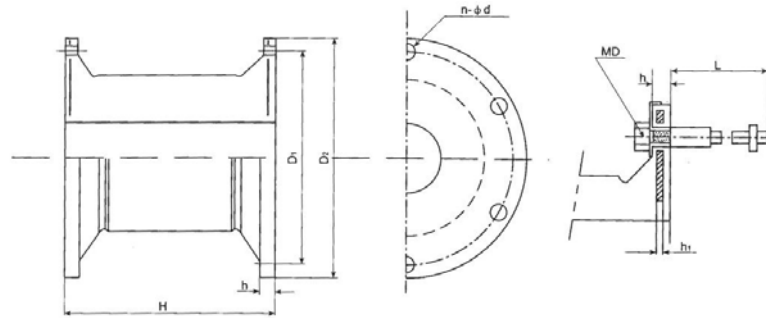


DARNELLPROP

DEFENSA DE GOMA TIPO YGCH – YGCH TYPE RUBBER FENDER



Especificaciones Specifications	H	h	D ₁	D ₂	n x Ød	MD	H ₁	L
YGCH 400	400	25	550	650	4 x Ø30	22	10	270
YGCH 500	500	25	550	650	4 x Ø32	24	12	300
YGCH 600	630	30	700	840	4 x Ø39	30	14	330
YGCH 800	800	30	900	1050	6 x Ø40	32	14	360
YGCH 1000	1000	35	1100	1300	6 x Ø47	39	18	430
YGCH 1150	1150	40	1300	1500	6 x Ø50	42	22	500
YGCH 1250	1250	45	1450	1650	6 x Ø53	45	22	500
YGCH 1450	1450	47	1650	1850	6 x Ø61	52	26	570
YGCH 1600	1600	50	1800	2000	8 x Ø61	52	28	570
YGCH 1700	1700	55	1900	2100	8 x Ø66	56	30	620
YGCH 2000	2000	55	2000	2200	8 x Ø74	64	32	700
YGCH 2250	2250	60	2300	2550	10 x Ø74	64	36	700
YGCH 2500	2500	70	2700	2950	10 x Ø74	64	38	700
YGCH 3000	3000	75	3150	3350	10 x Ø90	76	40	800

Nota / Note: Unidades en mm / Units in mm

Tipo Type	Deflexion - 52.5% - Deflection									
	Desempeño / Performance									
	Baja Low (RL)		Estandar Standard (RO)		Alta High (RH)		Super Alta 1 Super High 1 (RS)		Super Alta 2 Super High 2 (RE)	
	F	E	F	E	F	E	F	E	F	E
YGCH 400	51	9	64	11	83	14	96	17	110	19
YGCH 500	86	18	108	23	140	30	162	36	182	40
YGCH 600	138	38	172	47	224	62	258	72	290	80
YGCH 800	211	75	275	96	355	125	412	145	464	163
YGCH 1000	349	153	436	191	567	249	655	287	737	324
YGCH 1150	462	233	578	291	750	379	865	437	975	492
YGCH 1250	546	299	682	374	886	486	1022	561	1153	632
YGCH 1450	735	468	918	585	1193	760	1376	876	1551	987
YGCH 1600	894	628	1117	786	1453	1020	1676	1177	1888	1326
YGCH 1700	1009	753	1262	941	1640	1224	1892	1413	2131	1591
YGCH 2000	1398	1227	1746	1534	2270	1994	2619	2300	2941	2591
YGCH 2250	2085	2060	2454	2424	3188	3150	3679	3628	4145	4095
YGCH 2500	2574	2826	3028	3325	3937	4322	4543	4987	5118	5618
YGCH 3000	3677	4897	4314	5676	5687	7456				

Tolerancia / Tolerance: ±10%

Tipo Type	Deflexion - 55% - Deflection									
	Desempeño / Performance									
	Baja Low (RL)		Estandar Standard (RO)		Alta High (RH)		Super Alta 1 Super High 1 (RS)		Super Alta 2 Super High 2 (RE)	
	F	E	F	E	F	E	F	E	F	E
YGCH 400	59	9.5	75	12	97	15	112	18	125	21
YGCH 500	99	19	125	25	160	32	187	38	210	43
YGCH 600	147	40	182	50	237	67	274	76	309	85
YGCH 800	225	78	292	102	378	132	437	153	493	173
YGCH 1000	372	163	463	203	603	264	696	304	784	343
YGCH 1150	491	247	614	309	798	401	920	463	1037	521
YGCH 1250	581	316	725	396	942	516	1087	594	1225	669
YGCH 1450	781	495	976	619	1269	804	1464	928	1649	1045
YGCH 1600	950	665	1189	832	1544	1080	1781	1247	2007	1405
YGCH 1700	1073	798	1342	997	1743	1300	2012	1495	2266	1685
YGCH 2000	1485	1299	1856	1624	2413	2111	2783	2435	3136	2743
YGCH 2250	2216	2180	2607	2566	3390	3336	3911	3848	4406	4337
YGCH 2500	2737	2992	3220	3520	4182	4576	4829	5280	5441	5949
YGCH 3000	4217	5193	5099	6028	6619	7521				

Tolerancia / Tolerance: ±10%

FUERZA DE REACCION / REACTION FORCE: F (Kn)
 ABSORCION DE ENERGIA / ENERGY ABSORPTION: E (Kn-M)
 CONVERSION DE UNIDADES / UNIT CONVERTER: 1 Ton = 9.8 Kn
 TOLERANCE / TOLERANCE: ±10%
 UNIDADES / UNITS : mm

LAS ESPECIFICACIONES, CARACTERISTICAS Y TIPOS DE PRODUCTOS QUE APARECEN SON SOLAMENTE PARA REFERENCIA, Y ESTAN SUJETOS A CAMBIOS SIN PREVIO AVISO. EN CASO DE ESTAR INTERESADO EN ALGUNO DE NUESTROS PRODUCTOS LES ROGAMOS SE PONGAN EN CONTACTO CON NOSOTROS.
 THE SPECIFICATIONS, PERFORMANCES AND TYPES THAT APPEARS ARE FOR REFERENCE ONLY, AND CAN BE CHANGED WITHOUT ADVICE. IF YOU ARE INTERESTED IN ANY OF OUR PRODUCTS, PLS CONTACT US.